

Ø 70 PIN BOOM

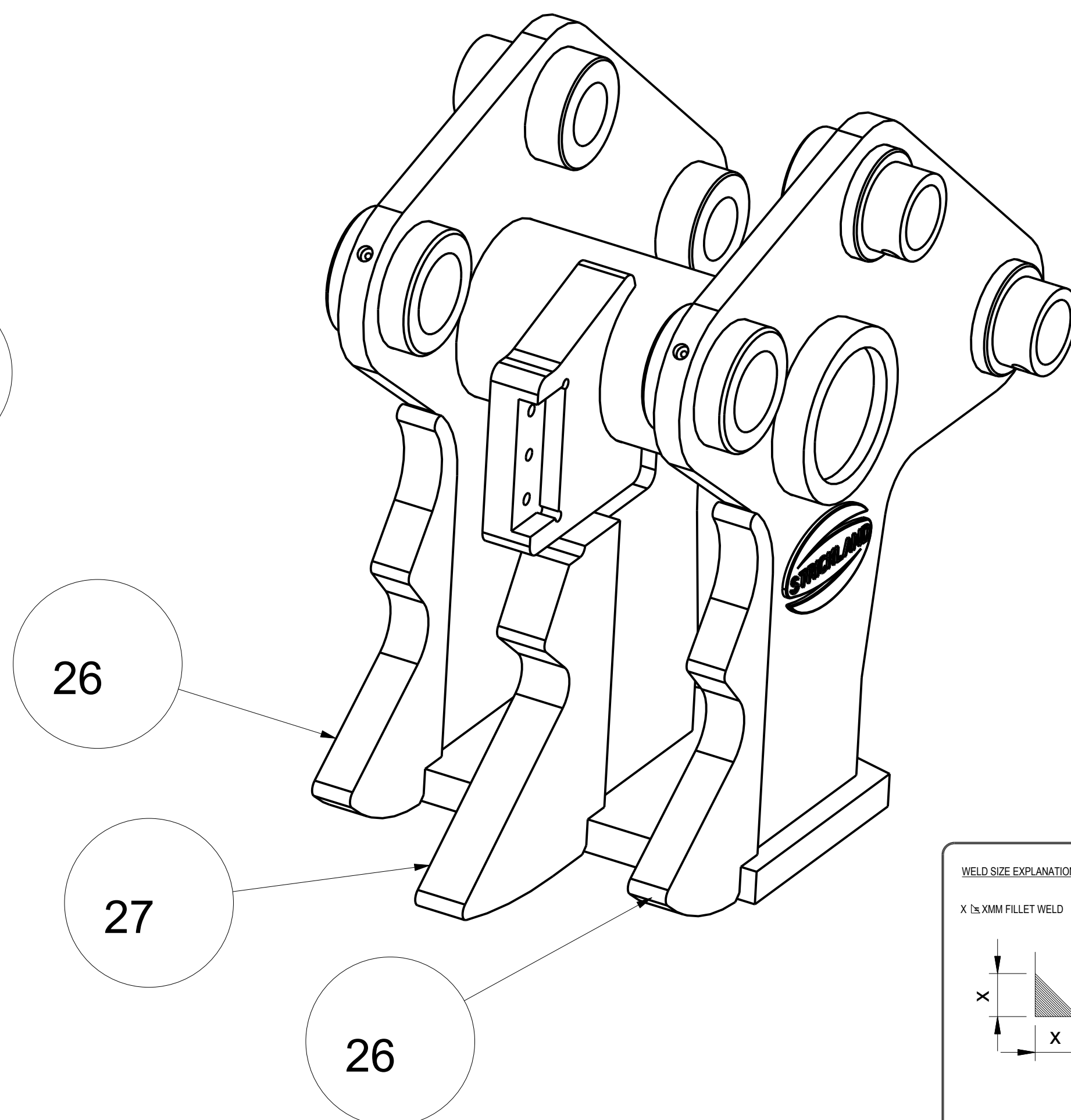
BRACKET

STRUT X 1500 LG.

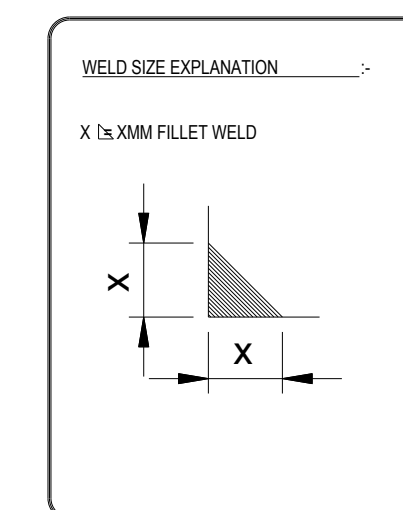
SCALE 0.200

CP60 PULVERISER
FIXED JAW

CP60 PULVERISER
MOVING JAW



ITEM	PART NUMBER	DESCRIPTION	QTY.
1		BOLT M16 X 150 LONG	1
2		WASHER M16 FLAT	1
3		NUT M16 NYLOC	1
4	GG-GET500993020-0	BOOM BRACKET PIN	1
5		BOLT M20 X 170 LG	3
6		WASHER M20 FLAT	3
7		NUT M20 NYLOC	3
8	GG-BKC87FJSTPNC40	FIXED JAW STRUT PIN	1
9	GG-BKC5086X70X46STSP	STRUT SPACER	2
10		SPHERICAL BEARING REF:-CE 70 ES	1
11		CIRCLIP 105 - 1300 ANDERTON	1
12	GG-BKC87FJMPCP60	FIXED JAW MAIN PIVOT PIN	1
13	GG-BKC87FJBUCP60	FIXED JAW BUSH	4
14		1/8" BSP LUB NIPPLE	7
15	GG-BKC87MJBUCP60	MOVING JAW MIDDLE BUSH	4
16		M16 C'SINK SCREW 80 LG	6
17		NUT M16 NYLOC	6
18		WASHER M16 FLAT	6
19	GG-BKC87RBBLCP60	REBAR BLADE	2
20	GG-BKC87MJHPCP60	MOVING JAW HANGER PIN	2
21		BOLT M24 X 175 LONG	4
22		NUT M24 NYLOC	4
23		WASHER M24 FLAT	4
24	GG-BKC87QH60FJ60OUT	FIXED JAW 60 OUTER	2
25	GG-BKC87QH60FJ60CEN	FIXED JAW 60 CENTRE	2
26	GG-BKC87QH60MJ60OUT	MOVING JAW 60 OUTER	2
27	GG-BKC87QH60MJ75CEN	MOVING JAW 75 CENTRE	1
28	GG-BKC87PPLCCP60	LOCKING COLLAR	2



DESCRIPTION				
CP60 PULVERISER				
ST REFERENCE No				ISSUED
ST PART No				DRG SIZE AO
DRAWN	DATE	CHECKED	DATE	SCALE
HSB	FEB13			SEE DRG
TOTAL NUMBER OF SHEETS 5				THIS SHEET NO 2

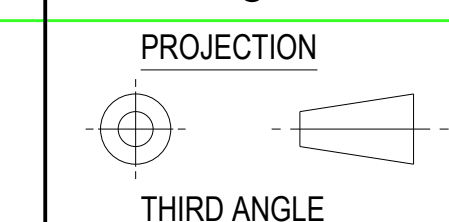
STRICKLAND DIRECT

PART OF THE STRICKLAND GROUP

TOLERANCES ON WELDED ASSEMBLIES (UNLESS OTHERWISE STATED)
 0 - 100mm ± 2.0
 100 - 200mm ± 3.0
 Over 200mm ± 5.0

MACHINED TOLERANCES (UNLESS OTHERWISE STATED)
 1 DEC PLACE ± 0.25
 2 DEC PLACE ± 0.12

ANY UNNECESSARY SHARP EDGES TO BE REMOVED.



IF IN DOUBT-PLEASE ASK DO NOT SCALE

DXF FILE

© STRICKLAND DIRECT LIMITED 2003 ALL DESIGN RIGHTS OR OTHER INTELLECTUAL PROPERTY RIGHTS IN THIS DESIGN AND THE COPYRIGHT IN THIS DRAWING ARE THE PROPERTY OF STRICKLAND DIRECT LIMITED. ANY UNAUTHORISED USE THEREOF WILL CONSTITUTE AN INFRINGEMENT OF THE INTELLECTUAL PROPERTY RIGHTS OF STRICKLAND DIRECT LIMITED.