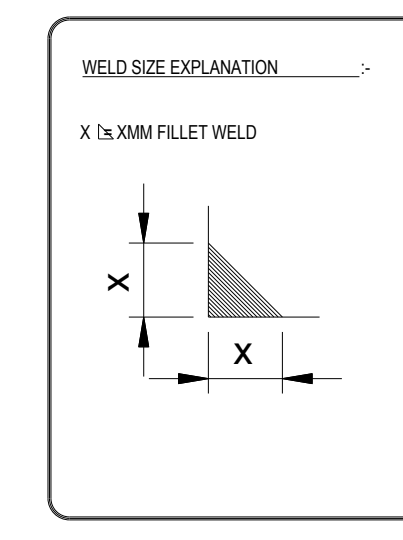


ITEM	PART NUMBER	DESCRIPTION	QTY
1		BOLT M16 X 150 LONG	1
2		M16 C/SINK SCREW 80 LG	6
3		WASHER M16 FLAT	7
4		NUT M16 NYLOC	7
5		BOLT M20 X 185 LG	3
6		WASHER M20 FLAT	3
7		NUT M20 NYLOC	3
8		BOLT M24 X 175 LONG	1
9		WASHER M24 FLAT	1
10		NUT M24 NYLOC	1
11		CIRCLIP 105 - 1300 ANDERTON	1
12		CIRCLIP 7100-140	2
13		SPHERICAL BEARING REF:-CE 70 ES	1
14		1/8" BSP LUB NIPPLE	5
15	GG-GET500993020-0	BOOM BRACKET PIN	1
16	GG-BKC87FJSTPNCP40	FIXED JAW STRUT PIN	1
17	GG-BKC5086X70X46STSP	STRUT SPACER	2
18	GG-BKC87MJBUCP60DM	MOVING JAW MAIN PIVOT BUSH	2
19	GG-BKC87RBBLCP40	REBAR BLADE	2
20	GG-BKC87QH60FJ60OUT	FIXED JAW 60 OUTER	2
21	GG-BKC87QH60FJ60CEN	FIXED JAW 60 CENTRE	2
22	GG-BKC87QH60MJ60OUT	MOVING JAW 60 OUTER	2
23	GG-BKC87QH60MJ75CEN	MOVING JAW 75 CENTRE	1
24	GG-BKC87JLCCP60DM90	LOCKING COLLAR	2
25	GG-BKC87JTHCP60DM90	TOP HAT ASSEMBLY	2
26	GG-BKC87JMPCP60DM90	MAIN PIVOT PIN	1
27	GG-BKC87PNSKCP60DM90	SPACER KIT	1
28	GG-BKC87MJRPCP60DM90	MOVING JAW HANGER PIN	2
29	GG-BKC87MPSHCP60DM	SHIM	2
30	GG-BKC87MJSLCP60DM90	MOVING JAW 90 SLEEVE	2
31		CIRCLIP 7100-110	2

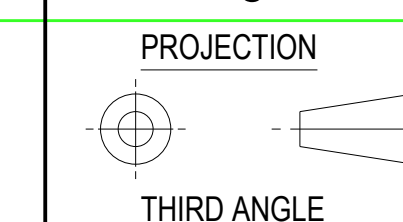
SCALE 0.200

DESCRIPTION
CP60 PULVERISER DIRECT MOUNT (90MM PINS)
EXPLODED VIEW

ST REFERENCE No		ISSUED
ST PART No		DRG SIZE AO
DRAWN	DATE	CHECKED
DAH	DEC14	
TOTAL NUMBER OF SHEETS 13		THIS SHEET NO 9



ANY UNNECESSARY SHARP EDGES TO BE REMOVED.



IF IN DOUBT-PLEASE ASK DO NOT SCALE

DXF FILE