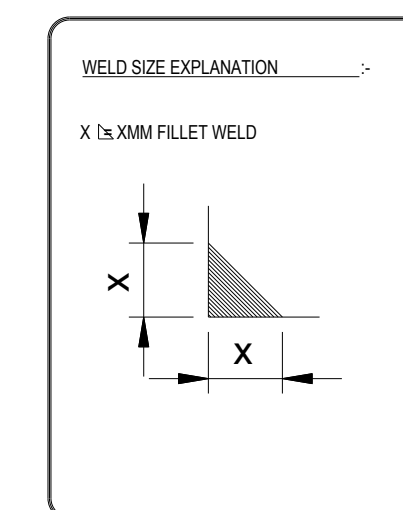


ITEM	PART NUMBER	DESCRIPTION	QTY
1		BOLT M16 X 150 LONG	1
2		M16 C'SINK SCREW 80 LG	6
3		WASHER M16 FLAT	7
4		NUT M16 NYLOC	7
5		BOLT M20 X 185 LG	3
6		WASHER M20 FLAT	3
7		NUT M20 NYLOC	3
8		BOLT M24 X 175 LONG	1
9		WASHER M24 FLAT	1
10		NUT M24 NYLOC	1
11		CIRCLIP 105 - 1300 ANDERTON	1
12		CIRCLIP 7100-140	2
13		SPHERICAL BEARING REF.-CE 70 ES	1
14		1/8" BSP LUB NIPPLE	5
15	GG-GET500993020-0	BOOM BRACKET PIN	1
16	GG-BKC87FJSTPNCP40	FIXED JAW STRUT PIN	1
17	GG-BKC5086X70X46STSP	STRUT SPACER	2
18	GG-BKC87MJBUCP60DM	MOVING JAW MAIN PIVOT BUSH	2
19	GG-BKC87RBBLCP40	REBAR BLADE	2
20	GG-BKC87QH60FJ60OUT	FIXED JAW 60 OUTER	2
21	GG-BKC87QH60FJ60CEN	FIXED JAW 60 CENTRE	2
22	GG-BKC87QH60MJ60OUT	MOVING JAW 60 OUTER	2
23	GG-BKC87QH60MJ75CEN	MOVING JAW 75 CENTRE	1
24	GG-BKC87FJLCCP60DM100	LOCKING COLLAR	2
25	GG-BKC87FJTHCP60DM100	TOP HAT ASSEMBLY	2
26	GG-BKC87FJMPCP60DM100	MAIN PIVOT PIN	1
27	GG-BKC87PNSKCP60DM100	SPACER KIT	1
28	GG-BKC87MJRPCP60DM100	MOVING JAW HANGER PIN	2
29	GG-BKC87MPSHCP60DM	SHIM	2

SCALE 0.200



DESCRIPTION CP60 PULVERISER DIRECT MOUNT 100 DIAMETER PINS				
ST REFERENCE No				ISSUED
ST PART No				DRG SIZE AO
DRAWN	DATE	CHECKED	DATE	SCALE
DAH	DEC14			SEE DRG
TOTAL NUMBER OF SHEETS 7				THIS SHEET NO 2